

DIGITAL FACE RECOGNITION INTERCOM

FR10.1



Face Recognition



Bluetooth



10.1 Inch



HDR Camera



Analog Intercom Indoor Monitor



Digital Intercom Indoor Monitor



Product Introduction

Face recognition visual intercom terminal is a face recognition visual intercom product with high performance-price ratio and high reliability. the innovative digital analog intercom compatible design can support both analog intercom and digital cloud intercom working mode. greatly reduce the overall cost of intelligent visual intercom, deep learning algorithm, faster recognition speed, higher accuracy, ultra-low power consumption without heating, support face recognition, Bluetooth, IC card and other verification methods. 10.1 inch full HD screen, high screen proportion, support hanging wall, embedded installation, mainly used in communities, parks, campuses, kindergartens, hospitals and other places.

Device Features

- 1) Multiple ways to open the door: face recognition, bluetooth, remote, swipe card, video intercom etc.
- 2) Android multimedia player: high-performance, low-power, Android system, support pictures and video multimedia play.
- 3) HD screen: 10.1-inch full HD screen design.
- 4) HDR Camera: HDR recognition.
- 5) Wired wireless communication: standard Ethernet, WiFi, optional 4G communication.
- 6) Multiple extended functions : QR code recognition.
- 7) Exquisite craftsmanship: high-end aluminum, toughened glass, IP54 waterproof.
- 8) Compatible with wall and embedded mounting.



SixSense
Technology

WWW.SIXSENSEASIA.COM

Platform Features

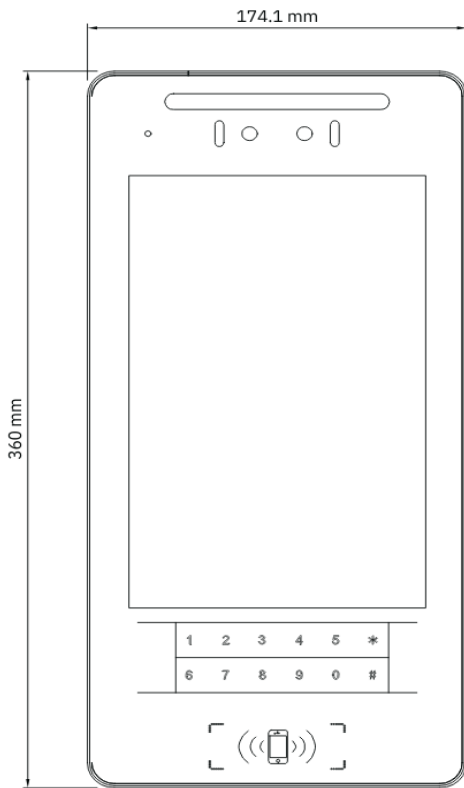
- 1) Unified management of millions of IoT devices, comprehensive cloud-based audio and video solutions.
- 2) Access to tens of terminals, load balancing and Blazing-fast networking.
- 3) Integrated visual intercom, face recognition access control, cloud access control, parking, ladder control, monitoring of the unified platform.
- 4) Comprehensive support for property warranty, bill payment and other functions to meet the transformation of property Internet+.
- 5) Real-time event recording, mass storage support, photo capture.
- 6) Mature API docking services, providing docking services to help the construction of smart communities.
- 7) Cloud-based advertising management, multiple strategies such as breakpoint transfer to ensure the safe distribution of advertising content.

Specification

System	Android
Main Chip	RK3568
Screen Size	10.1 inch
RAM	2GB
Storage	16GB
Camera	Wide Dynamic 2 Million Dual Camera
Visual Intercom	Optional Support Analog Intercom, Digital Intercom, Cloud Intercom
Unlock Ways	Face Recognition, Mobile Phone Bluetooth, Remote, Swipe Card
Bluetooth Door opening Distance	Unobstructed Within 10 Meters
Button	Touch Button, 13 Buttons

Communication Ways	Standard Ethernet, WiFi, Optional 4G
Access Control Function	Door Sensor, Unclock, Exit Switch, Weigand, 485 Interface
Face Capacity	50,000
Event Record	100,000
RF Card Type	IC (ISO14443A/B), Optional Mifare/CPU/China Mobile Super SIM Card/EMID
Device Size	174*33.5*360mm

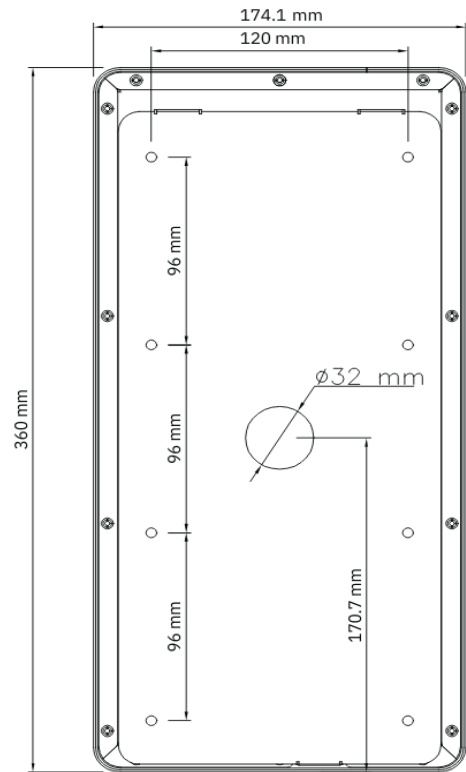
Device Size (mm)



Front View



Side View



Rear View